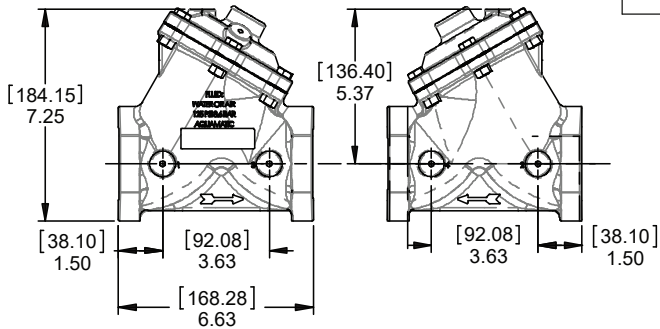


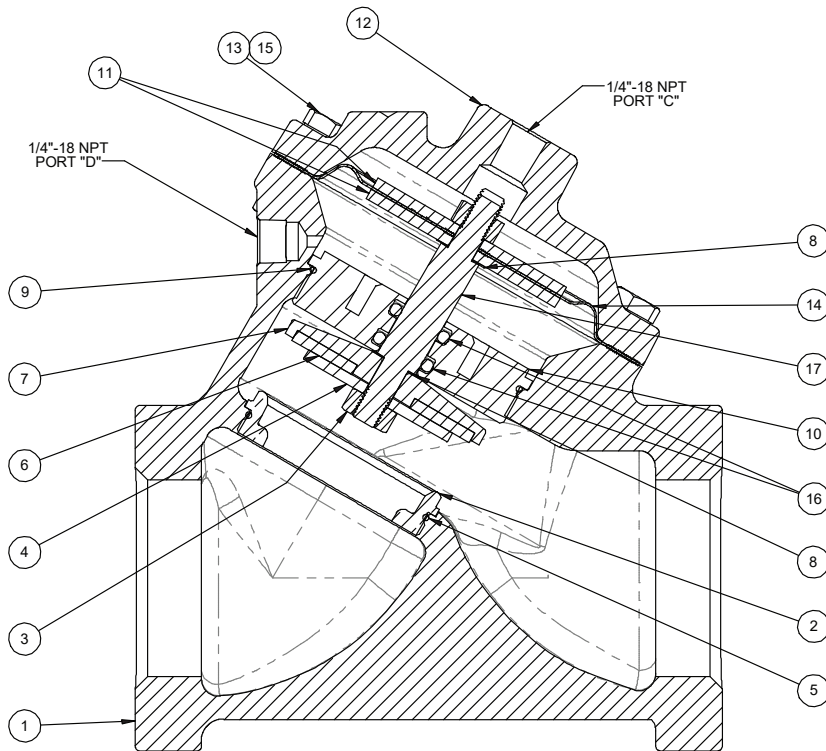
ASSEMBLY TOOLS	
DESCRIPTION	PART NO.
FOR INSTALLATION & REMOVAL OF SEAT (ITEM #2) (TOOL NOT SHOWN)	1074411 (426-MT)
FOR INSTALLATION & REMOVAL OF SHAFT GUIDE (ITEM #10) (TOOL NOT SHOWN)	1074299 (425-GAT)

REPAIR PARTS KITS			
DESCRIPTION	PART NO.		
DIAPHRAGM & SEALS KIT CONSISTS OF ITEM NO'S 3(2),5,6,8(2),9,14,16	1070070 (425-RA)	1070083 (425-RAE)	1070095 (425-RAV)
	BUNA N INCLUDES DIAPHRAGM 1074296 (425-FB)	E.P.D.M. INCLUDES DIAPHRAGM 1074296 (425-FB)	FKM INCLUDES DIAPHRAGM 1074297 (425-FV)
	1070120 (425-RF)		
INT. PARTS KIT (NORM. OPEN) CONSISTS OF STANDARD ITEM NO'S 4,7,10,11(2),17	1074321 (425-MO)		
SEAT (ITEM NO.2)	1074321 (425-MO)		

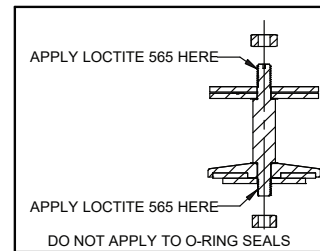
NO.	DESCRIPTION	STD	PART NO.	QTY.	
1	BODY	CAST IRON	2" NPT	• 1074277 (425-A)	1
2	SEAT (REQ'S ASSY TOOL)	SS	•	1074321 (425-M0)	1
3	HEX NUT (5/16-24)		•	1263853 (NUS-0013)	2
4	DISC PLATE	SS	•	43943	1
5	O-RING	BUNA N	•	1071682 (ORB-035)	1
		E.P.D.M.		1071724 (ORE-035)	
		VITON		1071794 (ORV-035)	
6	DISC	BUNA N	•	1074307 (425-J)	1
		E.P.D.M.		1074309 (425-JE)	
		FKM		1074312 (425-JV)	
		HYCAR		1074310 (425-JH)	
7	DISC HOLDER	SS	•	43731	1
8	GASKET	COPPER	•	1074252 (424-R)	2
		BUNA N	•	1071684 (ORB-038)	
9	O-RING	E.P.D.M.		1071725 (ORE-038)	1
		FKM		1071795 (ORV-038)	
10	SHAFT GUIDE (REQ'S ASSY TOOL)	SS	•	43775	1
11	DIAPHRAGM PLATE	SS	•	43730	2
12	CAP	CAST IRON	•	1074281 (425-C)	1
13	HEX SCREW	PLATED STEEL	•	1072400 (SCZ-0013)	6
14	DIAPHRAGM	BUNA N	•	1074296 (425-FB)	1
		FKM		1074297 (425-FV)	
15	HEX NUT	PLATED STEEL	•	1071657 (NUZ-0011)	1
16	O-RING	BUNA N	•	1071699 (ORB-205TC)	2
		E.P.D.M.		1239009	
		FKM		1239008 (ORV-206)	
17	SHAFT (NORMALLY OPEN)		•	1074314 (425-L)	1



TORQUE TABLE		
ITEM #	DESCRIPTION	TORQUED TO(+/- 10%)
2	SEAT	120 IN/LBS
3	UPPER NUT	140 IN/LBS
3	LOWER NUT	140 IN/LBS
10	SHAFT GUIDE	120 IN/LBS
13 & 15	NUT, HEX SCREW	140 IN/LBS



[1070035 \(V42F-0000-00000\) \(2" NPT\)](#)
NORMALLY OPEN (STANDARD)

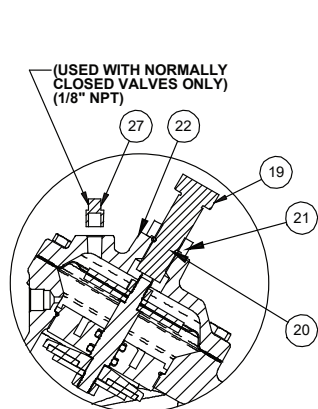


NOTE:

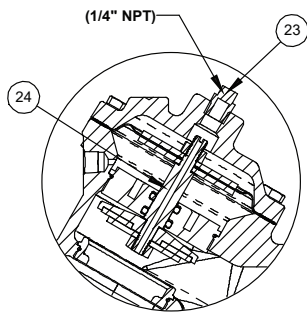
- AMERICAN NATIONAL STANDARD TAPER PIPE THREADS (NPT) PER ANSI B2.1-1968.
- VALVES AVAILABLE WITH B.S.P.T. END CONNECTIONS.

SEE REVERSE SIDE FOR
CONFIGURATION OPTIONS

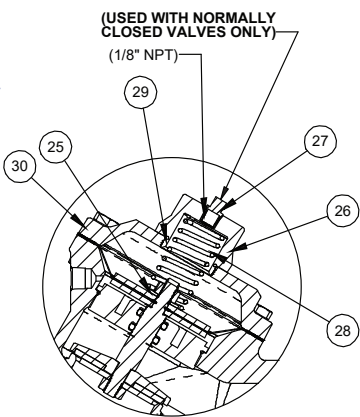
COMPONENTS / ASSEMBLIES TO BE COMPLIANT AND COMPATIBLE WITH EUROPEAN UNION DIRECTIVE 201165/EC (PMS2) & REGULATION (EU)1907/2006 (REACH) REQUIREMENTS			
THIRD ANGLE PROJECTION		APPROVALS	DATE
DRAWN	TMS	06-03-10	TITLE
APPROVED			 CATALOG SHEET, 425 DIAPHRAGM VALVE
CHECKED			
DO NOT SCALE DRAWING. DIMS. ARE IN INCHES (mm) INTERPRET DIMS AND TOLERANCES PER ASME Y14.5M-2009 UNLESS OTHERWISE SPECIFIED. ALL FINISHED MACHINED SURFACES 125 ✓ OR BETTER. TOLERANCES: ANGLES: ± 1° 1 PLACE: XX ± 0.15 (0.38) 2 PLACE: XX ± 0.01 (0.3) 3 PLACE: XXX ± 0.05 (0.13)		SCALE	1:2
			SHEET 1 OF 2



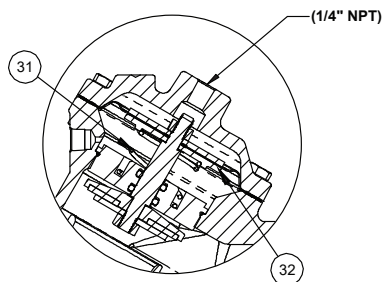
[1070037 \(V42F-0010-00000\) \(2\"/>](#)



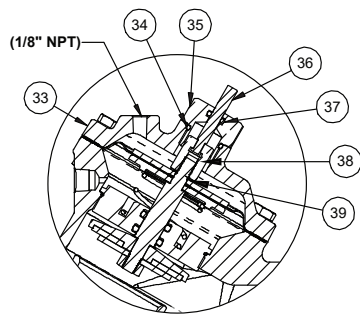
[1072894 \(V42F-0030-00000\) \(2\"/>](#)



[1072885 \(V42F-0002-00000\) \(2\"/>](#)



[1070036 \(V42F-0001-00000\) \(2\"/>](#)



[1072893 \(V42F-0021-00000\) \(2\"/>](#)

NO.	DESCRIPTION	STD	PART NO.	QTY
LIMIT STOP MODEL				
19	SCREW	•	1078676 (SCS-0042)	1
20	O-RING	•	1071690 (ORB-112)	1
21	NUT, LIMIT STOP	•	1074434 (426-U)	1
22	CAP, 425, NPT, LS	•	1074285 (425-CCC)	1
NORMALLY CLOSED MODEL				
23	PIPE PLUG (1/4" N.P.T.)	PLATED STEEL	1071918 (PLZ0008)	1
		BRASS	1071904 (PLB-0009)	
24	SHAFT (NORMALLY CLOSED)	•	1074317 (425-LL)	1
SPRING ASSIST CLOSED MODEL				
25	CENTERING WASHER	BRASS	1074083 (421-AH)	1
26	NUT, SPRG RETAINER	BRASS	1074430 (428-IT)	1
27	PIPE PLUG (1/8" N.P.T.)	PLATED STEEL	1071917 (PLZ-0005)	1
		BRASS	1071903 (PLB-0007)	
28	SPRING	•	1078688 (426-SS)	1
29	O-RING	•	1071677 (ORB-025)	1
30	CAP	CAST IRON	1074284 (425-CA)	1
SPRING ASSIST OPEN MODEL				
31	SPRING	•	1078692 (426-S)	1
32	DIAPHRAGM PLATE	SS	43729	1
POSITION INDICATOR MODEL				
33	CAP	CAST IRON	1074288 (425-CF)	1
34	O-RING	•	1071692 (ORB-115)	1
35	SHAFT GUIDE BRUSHING	•	1074121 (421-GF)	1
36	INDICATOR SHAFT	•	1074325 (425-PM)	1
37	O-RING	•	1071688 (ORB-108-TC)	1
38	TOP NUT	•	1074332 (425-TB)	1
39	LOCKWASHER	•	1073590 (TRS-0007)	1

TORQUE TABLE		
ITEM #	DESCRIPTION	TORQUED TO (+/- 10%)
21	NUT, LIMIT STOP	120 IN/LBS
26	NUT, SPRING RETAINER	120 IN/LBS
35	SHAFT GUIDE BUSHING	120 IN/LBS
38	TOP NUT	120 IN/LBS

NOTE:
 1. SPRING ASSIST CLOSED MODEL CANNOT BE COMBINED WITH LIMIT STOP MODEL.
 2. VALVES AVAILABLE WITH B.S.P.T. END CONNECTIONS.
 SEE REVERSE SIDE FOR STANDARD NORMALLY OPEN MODEL.

REPAIR PARTS KITS	
DESCRIPTION	PART NO.
INT. PARTS KIT (LIMIT STOP) CONSISTS OF STANDARD ITEM NO'S 19,20,21	1074319 (425-LS)
INT. PARTS KIT (NORM CLOSED) CONSISTS OF STANDARD ITEM NO'S 4,7,10,11(2),24	1070131 (425-RG)
INT. PARTS KIT (SPRING ASSIST CLOSED) CONSISTS OF STANDARD ITEM NO'S 25,28,29	1074329 (425-SC)
INT PARTS KIT (SPRING ASSIST OPEN) CONSISTS OF STANDARD ITEM NO'S 8,31,32	1074331 (425-SO)
INT PARTS KIT (POSITION INDICATOR) CONSISTS OF STD ITEM NO'S 34 THRU 39	1074323 (425-PI)

CONVERSION KITS	
DESCRIPTION	PART NO.
CONVERSION KIT (LIMIT STOP) CONSISTS OF STANDARD ITEM NO'S 19,20,21,22	1074320 (425-LSC)
CONVERSION KIT (SPRING ASSIST CLOSED) CONSISTS OF STANDARD ITEM NO'S 25 THRU 30	1074330 (425-SCC)
CONVERSION KIT (SPRING ASSIST OPEN) CONSISTS OF STANDARD ITEM NO'S 8,31,32	1074331 (425-SO)
CONVERSION KIT (POSITION INDICATOR) CONSISTS OF STANDARD ITEM NO'S 33 THRU 39	1074324 (425-PIC)

COMPONENTS / ASSEMBLIES TO BE COMPLIANT AND COMPATIBLE WITH EUROPEAN UNION DIRECTIVE 2011/65/EC (RoHS) & REGULATION (EC)107/2006 (REACH) REQUIREMENTS

THIRD ANGLE PROJECTION	
APPROVALS	DATE
DRAWN TMS	06-03-10
APPROVED	
CHECKED	

DO NOT SCALE DRAWING. DIMS. ARE IN INCHES (mm) INTERPRET DIMS AND TOLERANCES PER ASME Y14.5M-2009 UNLESS OTHERWISE SPECIFIED. ALL FINISHED MACHINED SURFACES 125 ✓ OR BETTER. TOLERANCES: ANGLES: ± 1° 1 PLACE: .XX ± .015 (0.38) 2 PLACE: .XX ± .01 (0.3) 3 PLACE: .XXX ± .005 (0.13)

Buy A Q Matic.com

CATALOG SHEET, 425 DIAPHRAGM VALVE

SIZE: **C** DWGNO: **1077615** REV: **U**

SCALE: 1:2 SHEET 2 OF 2